

# LD82



High power surface mounted miniature LED spotlight

Data sheet - Page 1



The LD82 is a high power, miniature, adjustable LED spotlight. The knuckle attaches to the body from the side making it ideal for instances where a single spotlight is needed. A wide range of mounting methods are available with each being custom made to each projects requirements. This allows the designer to tailor the lighting layout for each display. The best method of specification for these spotlights and mounting systems is to send us a sketch of what is required. This can then be discussed and we will produce a project specification and quote.

## Key Features

- Utilizes the latest LED technology with a typical CRI of 93 in warm white
- Broad range of uses including display, picture and sign lighting
- Knuckle joint allows great flexibility in adjustment
- Custom made to suit exact specified dimensions
- New high efficiency optics specially designed for LightGraphix
- Excellent beam spread and shape
- 4 different beam angles available
- Range of finishes
- Available with Switch, 0-10V, DMX, Dali or Mains dimmable drivers

## Specification

### Applications



### Beam Angles

12°, 31°, 48°, 36° x 12°

### LED type

1 x Cree XPG2

### Colour temperature

2700K\*\* / 3000K | 5000K

### Drive Current (mA)

350	500	700	350	500	700
-----	-----	-----	-----	-----	-----

### LED power\* (W)

1.2W	1.7W	2.4W	1.2W	1.7W	2.4W
------	------	------	------	------	------

### CRI (typical)

93	93	93	75	75	75
----	----	----	----	----	----

### Forward voltage (V)<sub>100</sub>

3.0V	3.2V	3.4V	3.0V	3.2V	3.4V
------	------	------	------	------	------

### Delivered lumens\*\* (L<sub>100</sub>)

107	146	195	130	177	237
-----	-----	-----	-----	-----	-----

### Lumens per circuit watt

89	86	81	108	104	99
----	----	----	-----	-----	----

### LED lifetime (to 70% lumen maintenance)

50,000hrs at a max ambient temperature of 35°C  
(if specifying fitting in ambient temperatures of up to 45°C run at 500mA max, LD82-500)

### Materials

Anodised aluminium body

### Wiring

Comes pre-wired with 2 core 100mm lead, can be specified with up to 10m at extra cost

### IP rating

IP40

\*LED wattage includes losses associated with using an 85% efficient driver

\*\* 2700K lumen output is 12% lower than the 3000K figure listed

4000K lumen output is 14% higher than the 3000k figured listed (80 CRI)



# LD82

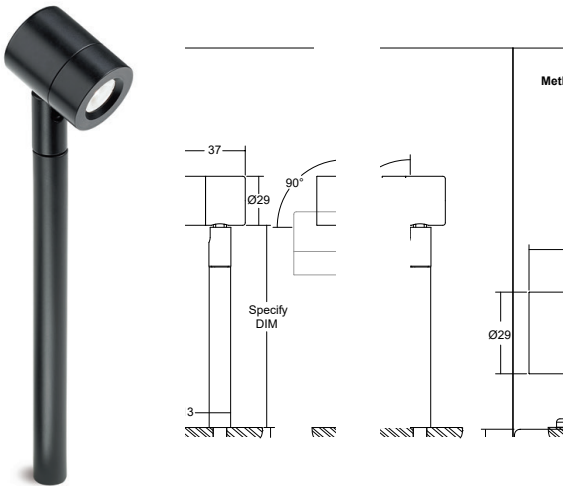


High power surface mounted miniature LED spotlight

## Mounting Options and Dimensions

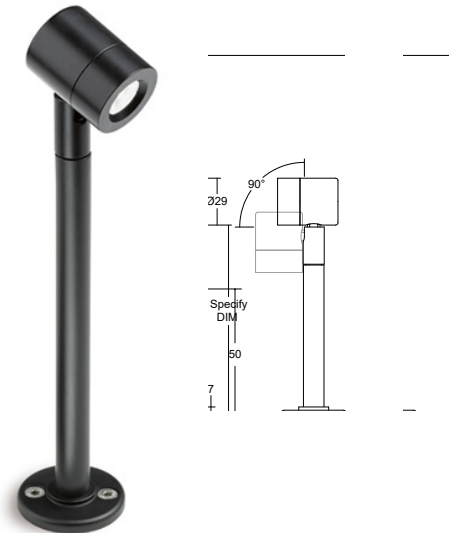
### /M1

Method 1 - has no visible fixings. The stem and spotlight are fixed to the mounting surface via an M8 thread and nut. Cables exit from this point as well. Specify DIM (please note this does not include the height of the LED head).



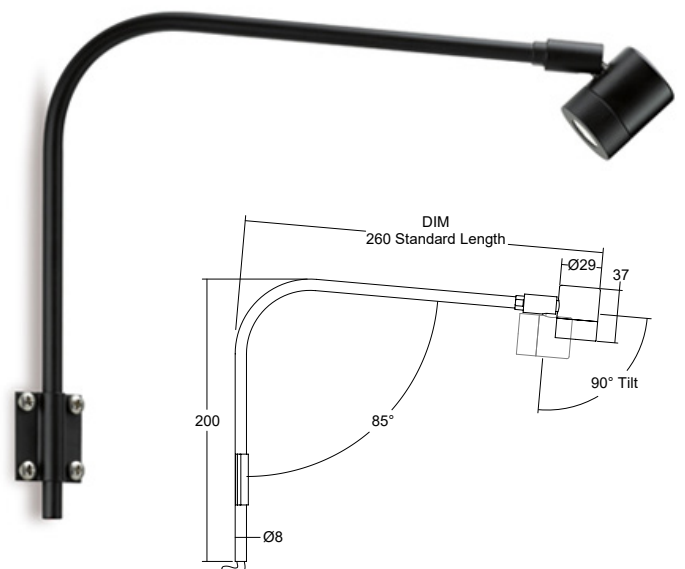
### /M2

Method 2 - supplied with surface mount base which is suited to applications where there is no access to the underside of the mounting surface. Specify DIM (please note this does not include the height of the head)



### /M3

Method 3 - is designed for lighting pictures and signs. The range of LightGraphix optics allow the specifier the control and soft edged beam required to light pictures effectively. The arm is height adjustable with the use of the fixing bracket.



# LD82

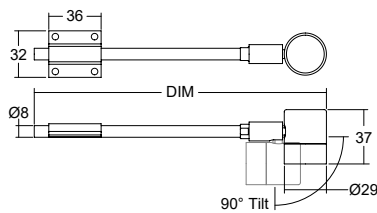
High power surface mounted miniature LED spotlight

Data sheet - Page 3



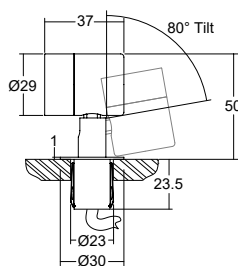
## /M4

Method 4 - is for fixing to an interior ledge, shelf or bookcase. The arm is length adjustable with the use of the fixing bracket. Specify DIM.



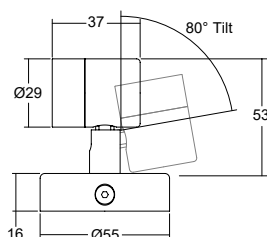
## /PL1

PL1 is a very discreet method of mounting a single spotlight into the base or side of a cabinet or showcase.



## /SMB

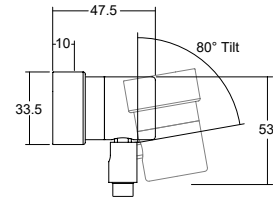
Surface mount base offers hidden wiring and a machined pivot arm with lockable tilt and rotation.



## Accessories

### /CO

The cowl is securely fitted to the LD82 with the aid of an O-ring.



## Photometrics

Photometric files are included in the design pack which can be downloaded from the LD82 product page on the website.

## Order Codes and Options

Product code	LED colour	Lens angle	Finish	Mounting method	Length
LD82 - 350 - 500 - 700					

Example: LD82-700 / LW30 / MB / Black Anodised / M1 / 500mm

### Product codes with output options

1.2W LED at 350mA	<b>LD82-350</b>
1.7W LED at 500mA	<b>LD82-500</b>
2.4W LED at 700mA	<b>LD82-700</b>

### LED colour options

LED colour options	Suffix
Extra Warm White (2700K)	/LW27
Warm white (3000K)	/LW30
White (4000K) - on request	/LW40
Cool White (5000K)	/LW50

### Beam / lens angle options

12° narrow spot	/NB
31° medium	/MB
48° Wide	/WB
36° x 12° oval beam	/OB

### Finish options

Silver / black / white (RAL 9016) / RAL finish

### Mounting method and accessories

Method 1	/M1
Method 2	/M2
Method 3	/M3
Method 4	/M4
PL1	/PL1
Surface mount base	/SMB
Cowl	/CO

### Use with 350mA, 500mA or 700mA constant current LED drivers

We have a wide range of dimmable LED drivers, 0-10V, DMX, DALI and Mains dimmable. Please see the downloads section on our website:

To run 1-14 LD82-350 in series use a TXDEL350D (0-10V dimmable)

To run 1-14 LD82-500 in series use a TXDEL500D (0-10V dimmable)

To run 1-13 LD82-700 in series use a TXDEL700D (0-10V dimmable)